



## Three-Way Switches



**Type:** 3G (airbreak) and 3GL (loadbreak)  
**Orientation:** Phase-Over-Phase  
**Voltage:** 15 - 230 KV  
**Current:** 600, 1200, 2000 and 3000 Ampere

### Description

Side-break style switch in a phase-over-phase configuration, with horizontal upright mounting on an aluminum support structure. Three individual switch pole units are arranged in an integral design, sharing insulators, interrupters, and other switch components. Provides switching for alternate sources.

### Application

Three-way switches are frequently used for line taps, ties, and sectionalizing. Phase-over-phase arrangements are especially helpful where restricted right-of-way or difficult terrain make other switch/structure configurations unworkable.

### Features & Benefits

- Allows easy isolation of lines, enhances reliability
- Small footprint minimizes right-of-way requirements, reducing real estate acquisition and litigation expense
- Eliminates substation high side switches
- Reduces construction time and costs vs. other types
- Clean visual appearance, less objections from communities
- Provides design flexibility to system designers

## Ordering Information

### Standard Equipment

Type "3G" and "3GL" GOABS® come complete with copper and copper alloy live parts, welded aluminum frame structures, and a manual control mechanism consisting of vertical control rods, horizontal control rods, outboard bearings, intermediate control rod guides, operating handle, lock-plate assembly, and ground strap.

Type "3G" switches are furnished with high-speed, snap-out arcing horns for interruption of limited amounts of line charging and transformer magnetizing currents. "3G" switches can be converted to arcless switching by the addition of SEECO MONORUPTR® vacuum interrupters.

Type "3GL" switches are furnished with MONORUPTR® vacuum interrupters for arcless switching of load, loop, line charging, and transformer magnetizing currents. Please refer to the catalog section for MONORUPTR® vacuum interrupters for ratings, application, and features and benefits.

### Optional Equipment

Accessories, such as motor operators, operator platforms, terminal connectors, porcelain insulating sections, etc. are also available.

### To Be Specified on Order

To obtain pricing information or to place an order, the following minimum information must be specified:

- Catalog Number
- Voltage Rating (kV) and BIL Rating (kV)
- Continuous Current Rating (amps)
- Momentary Current Rating (RMS amps)
- If insulators are required, specify TR Number; if insulators are non-standard, specify required parameters, i.e. polymer, extra leakage distance, high strength, resistive glazing, etc.
- Type of pole structure (wood, concrete, steel, laminated wood, etc.)
- Required dimensions: bottom phase to grade, phase to phase, and phase to static
- Type of operating mechanism: manual or motor operator
- Optional equipment

An Order Specification checklist is available to assist you in organizing and completing the information required. You may obtain a copy of the checklist by contacting SEECO, your local sales representative, or on-line at [www.seecoswitch.com](http://www.seecoswitch.com)



### Catalog Numbers and Ratings

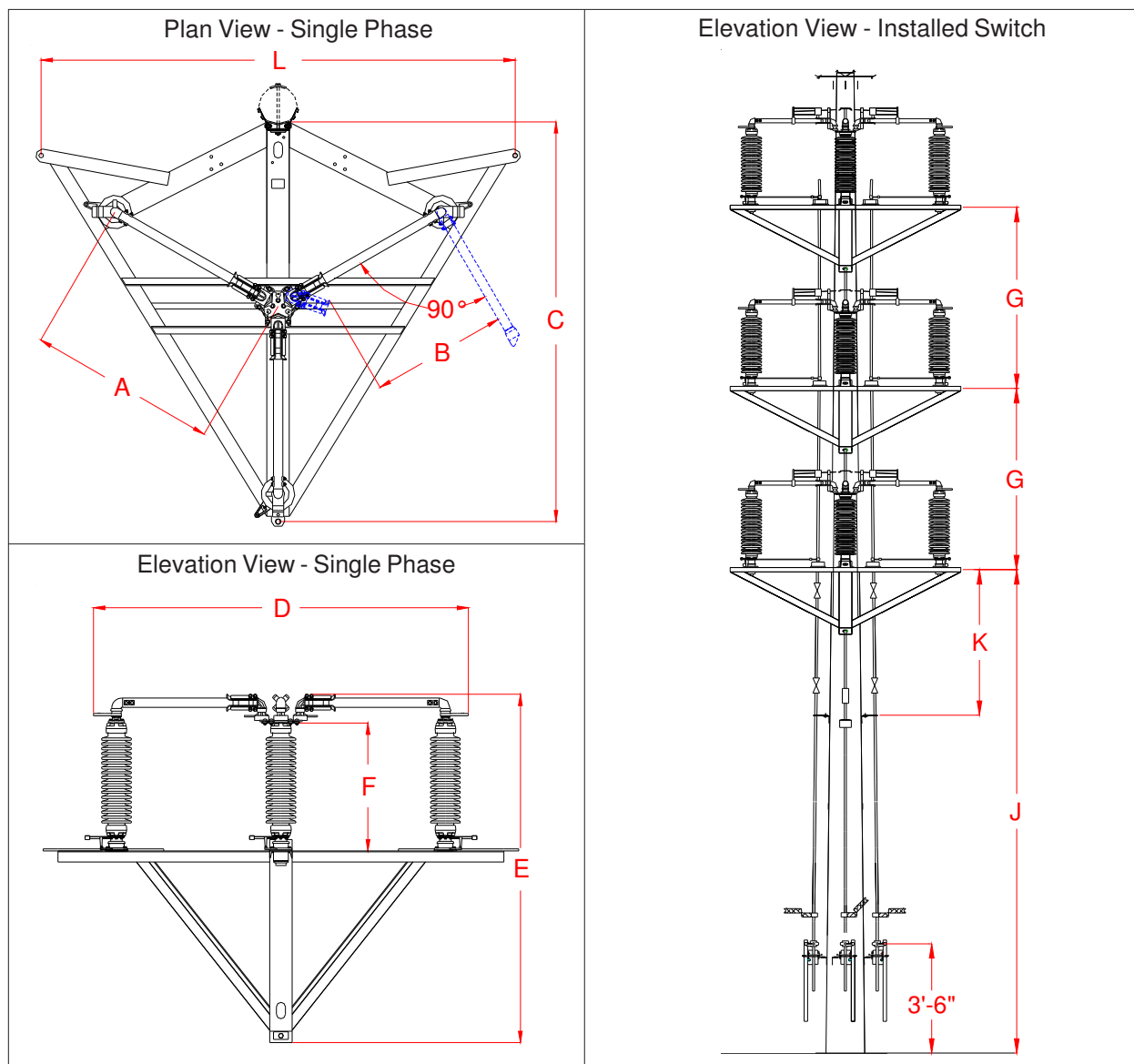
Voltage Rating			Current Rating		Insul TR Nbr	Type 3G			Type 3GL		
Nom	Max	BIL	Cont	Mom		Catalog	Weight, Lbs		Catalog	Weight, Lbs	
							Install	Ship		Install	Ship
15	15.5	110	600	40	205	3G01506SN	1640	2410	3GL015061SN	1820	2805
			1200	61		3G01512SN	1750	2520	3GL015121SN	1930	2915
			2000	100		3G01520SN	1963	2733	3GL015201SN	2143	3128
			3000	100		3G01530SN	1992	2774	3GL015301SN	2175	3175
23	25.8	150	600	40	208	3G02306SN	1785	2555	3GL023061SN	1965	2955
			1200	61		3G02312SN	1895	2665	3GL023121SN	2075	3065
			2000	100		3G02320SN	2233	3003	3GL023201SN	2413	3403
			3000	100		3G02330SN	2266	3048	3GL023301SN	2449	3454
34.5	38	200	600	40	210	3G03406SN	2305	2695	3GL034061SN	2485	3095
			1200	61		3G03412SN	2435	2825	3GL034121SN	2615	3225
			2000	100		3G03420SN	2565	2955	3GL034201SN	2745	3355
			3000	100		3G03430SN	2603	2999	3GL034301SN	2786	3405
46	48.3	250	600	40	214	3G04606SN	2620	3000	3GL046062SN	2870	3495
			1200	61		3G04612SN	2760	3155	3GL046122SN	3010	3650
			2000	100		3G04620SN	2905	3300	3GL046202SN	3155	3795
			3000	100		3G04630SN	2949	3350	3GL046302SN	3202	3852
69	72.5	350	600	40	216	3G06906SN	3460	3850	3GL069063SN	3755	4450
			1200	61		3G06912SN	3520	4000	3GL069123SN	3815	4600
			2000	100		3G06920SN	3715	4195	3GL069203SN	4010	4795
			3000	100		3G06930SN	3771	4258	3GL069303SN	4070	4867
115	121	550	600	40	286	3G11506SN	7570	8290	3GL115064SN	7910	8500
			1200	61		3G11512SN	7715	8435	3GL115124SN	8035	8645
			2000	100		3G11520SN	8775	9495	3GL115204SN	9095	9705
			3000	100		3G11530SN	8907	9637	3GL115304SN	9231	9851
138	145	650	600	40	288	3G13806SN	8560	9390	3GL138065SN	8945	9600
			1200	61		3G13812SN	8710	9540	3GL138125SN	9095	9750
			2000	100		3G13820SN	10027	10857	3GL138205SN	10412	11067
			3000	100		3G13830SN	10177	11020	3GL138305SN	10568	11233
161	169	750 (1)	600	40	291	3G16106SN	9525	10415	3GL161066SN	9955	10625
			1200	61		3G16112SN	9690	10580	3GL161126SN	10120	10790
			2000	100		3G16120SN	11287	12177	3GL161206SN	11717	12387
			3000	100		3G16130SN	11456	12360	3GL161306SN	11893	12573
230	242	900 (2)	600	40	304	3G23006SN	10478	11457	3GL230068SN	10951	11688
			1200	61		3G23012SN	10659	11638	3GL230128SN	11132	11869
			2000	100		3G23020SN	12416	13395	3GL230208SN	12889	13626
			3000	100		3G23030SN	12602	13596	3GL230308SN	13082	13830

(1) To specify 900 BIL, add "-0900" to the catalog number, ex. 3G16112SN-0900

(2) To specify 1050 BIL, add "-01050" to the catalog number, ex. 3GL230128SN-1050



### Dimensional Data 15 - 69 kV, Type 3G and 3GL



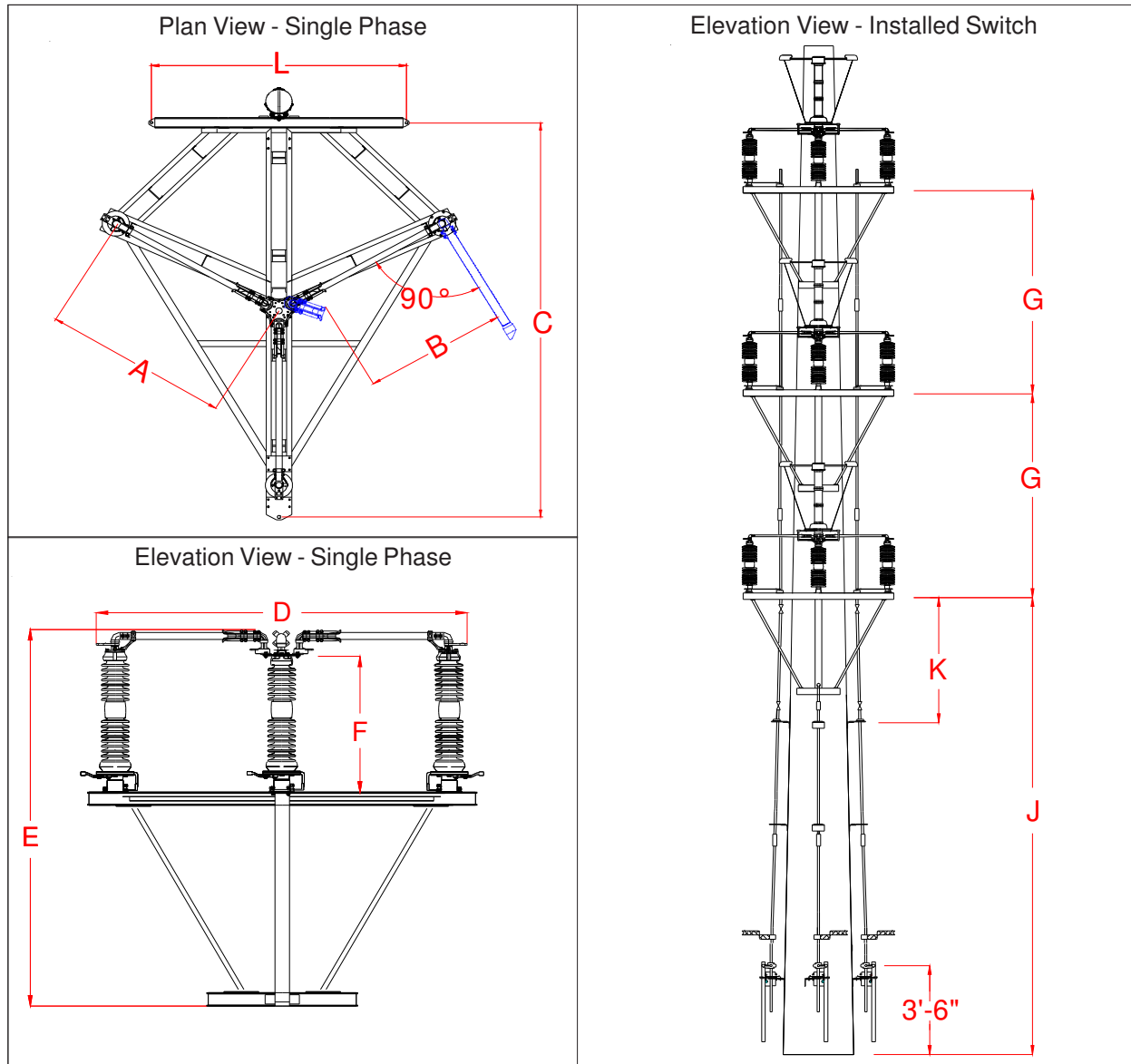
If the addition of a loadbreak device is not anticipated, dimension "G" may be reduced; consult the factory for special phase spacing requirements

Dimensions in Inches (Unless Otherwise Specified)

kV	A	B	C	D	E	F	G	J	K	L
15	28-1/2	14	61-7/8	70-1/8	56-5/8	14	6'-0"	26'-0"	10'-0"	73
23	34-1/2	20	71-7/8	77-1/8	64-5/8	18	6'-0"	26'-0"	10'-0"	85
34.5	42-1/2	28	91-3/4	106-1/8	75-5/8	22	7'-0"	27'-0"	12'-0"	100
46	42-1/2	28	91-3/4	106-1/8	79-5/8	26	9'-0"	29'-0"	12'-0"	103
69	50-1/2	36	110-5/8	120	96-5/8	34	10'-0"	29'-0"	13'-0"	127



### Dimensional Data 115 - 230 kV, Type 3G and 3GL



Dimensions in Inches (Unless Otherwise Specified) If the addition of a loadbreak device is not anticipated, dimension "G" may be reduced; consult the factory for special phase spacing requirements

kV	A	B	C	D	E	F	G	J	K	L
115	73	51-1/2	168-3/16	142-7/16	147-1/4	51-3/4	18'-0"	30'-0"	16'-0"	128-1/2"
138	80-3/4	63-1/2	180-7/16	156-1/16	170-3/4	60-3/4	22'-0"	30'-0"	16'-0"	128-1/2"
161	88-1/2	75-1/2	198-7/16	169-7/16	179-3/4	68-3/4	24'-0"	30'-0"	16'-0"	128-1/2"
230	106	95-1/8	229	196	206	85-7/8	28'-0"	40'-0"	16'-0"	128-1/2"