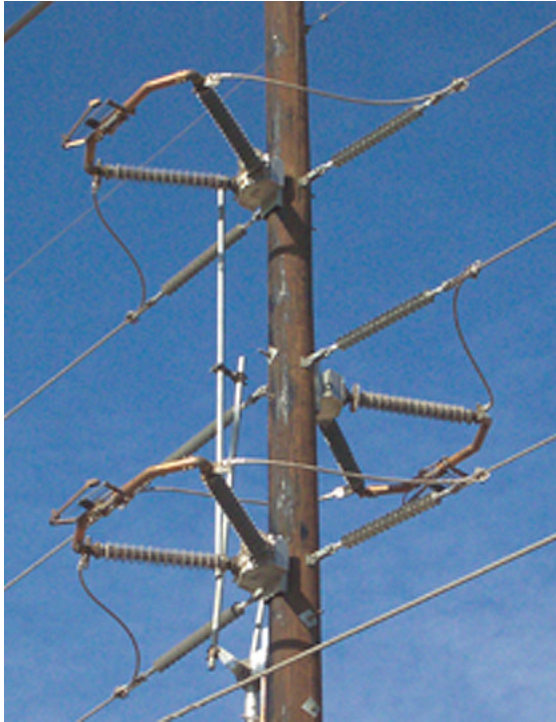




## Center-Vee Switch - Phase-Over-Phase



SEECO 69 kV, 1200 amp center Vee switch,  
catalog CP06912S-V

**Type:** CP

**Insulator Profile:** Vee Configuration

**Orientation:** Phase-Over-Phase

**Voltage:** 34.5 - 138 KV

**Current:** 600, 1200, and 2000 Ampere

### Description

A two insulator, group operated, center side-opening, air-break disconnect switch in a vee configuration, with two rotating insulators per phase for operation.

### Application

Low cost sectionalizing for phase-over-phase transmission switching applications. An alternative to traditional one-way, phase-over-phase switches where multi-bottle vacuum interrupters are not required or where pole height or phase spacing is limited.

### Features & Benefits

- Low cost vs. other transmission switch configurations
- Minimizes phase spacing requirements
- Simple and mechanically reliable
- Excellent ice breaking characteristics
- Readily adaptable to quick break arcing horns and single bottle loop split vacuum interrupters

## Ordering Information

### Standard Equipment

Type "CP" center vee switches come complete with copper and copper alloy live parts, galvanized steel bases, and a manual control mechanism consisting of vertical control rods, bevel gear mechanism, outboard bearings, intermediate control rod guides, torsional swing handle, lock-plate assembly, and ground strap.

All switches are shipped complete with standard strength station post insulators: individual switch pole units are preassembled and factory adjusted.

Type "CP" center vee switches are supplied with high-speed, snap-out arcing horns for interruption of line charging and magnetizing currents (line dropping) as standard equipment. Loop split applications can be handled through the addition of an optional SEECO MONORUPTR(R) single bottle vacuum interrupter. Other devices for more demanding interruption requirements are available. Consult the factory to discuss your specific interruption requirements.

### Optional Equipment

Accessories, such as motor operators, worm gear mechanisms, interrupting devices, operator platforms, terminal connectors, auxiliary switches, tin plated terminal pads and silver to silver switch contacts are also available.

### To Be Specified on Order

To obtain pricing information or to place an order, the following minimum information must be specified:

- Catalog Number
- Voltage Rating (kV) and BIL Rating (kV)
- Continuous Current Rating (amps)
- Momentary Current Rating (RMS amps)
- If insulators are non-standard, specify required parameters, i.e. polymer, extra leakage distance, high strength, resistive glazing, etc.
- Pole structure information including pole type (wood, concrete, steel, laminated wood) with mounting details and dimensions, i.e. grade to bottom phase, phase to phase and phase to static
- Type of operating mechanism: manual swing handle, motor operator, or worm gear
- Optional equipment

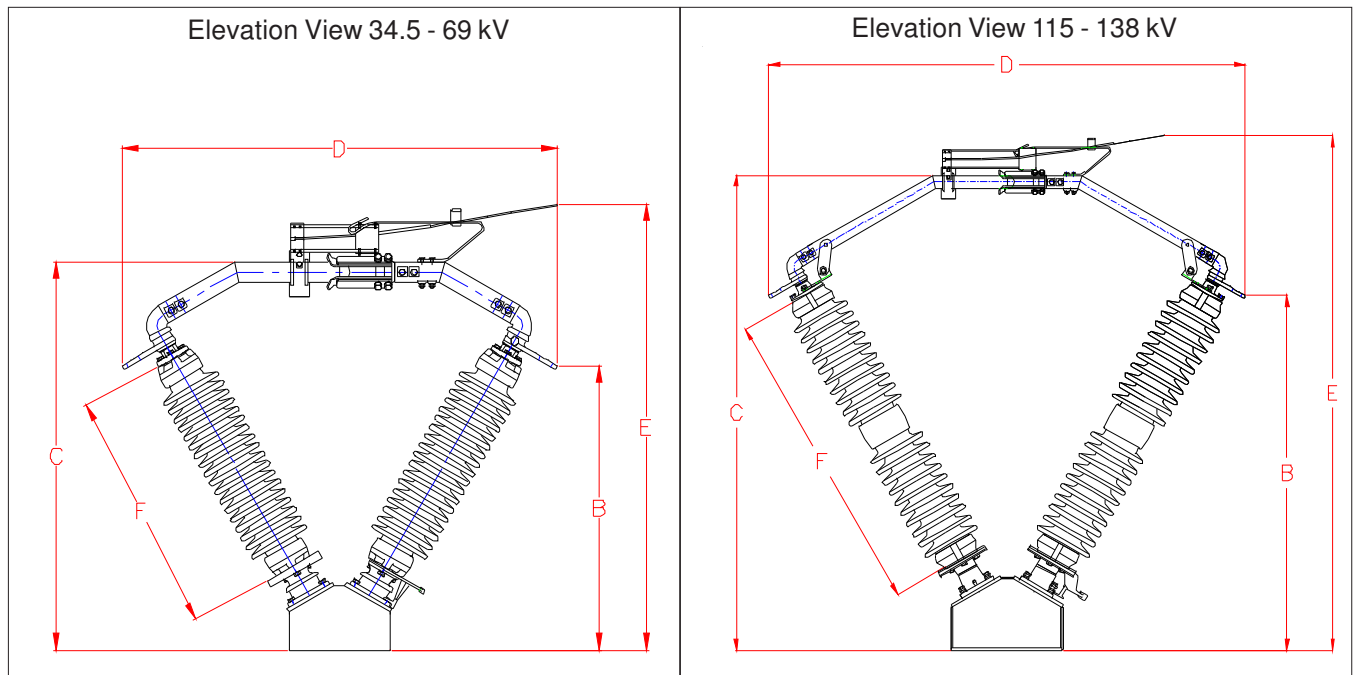
An Order Specification checklist is available to assist you in organizing and completing the information required. You may obtain a copy of the checklist by contacting SEECO, your local sales representative, or online at [www.seecoswitch.com](http://www.seecoswitch.com)



### Catalog Numbers and Ratings

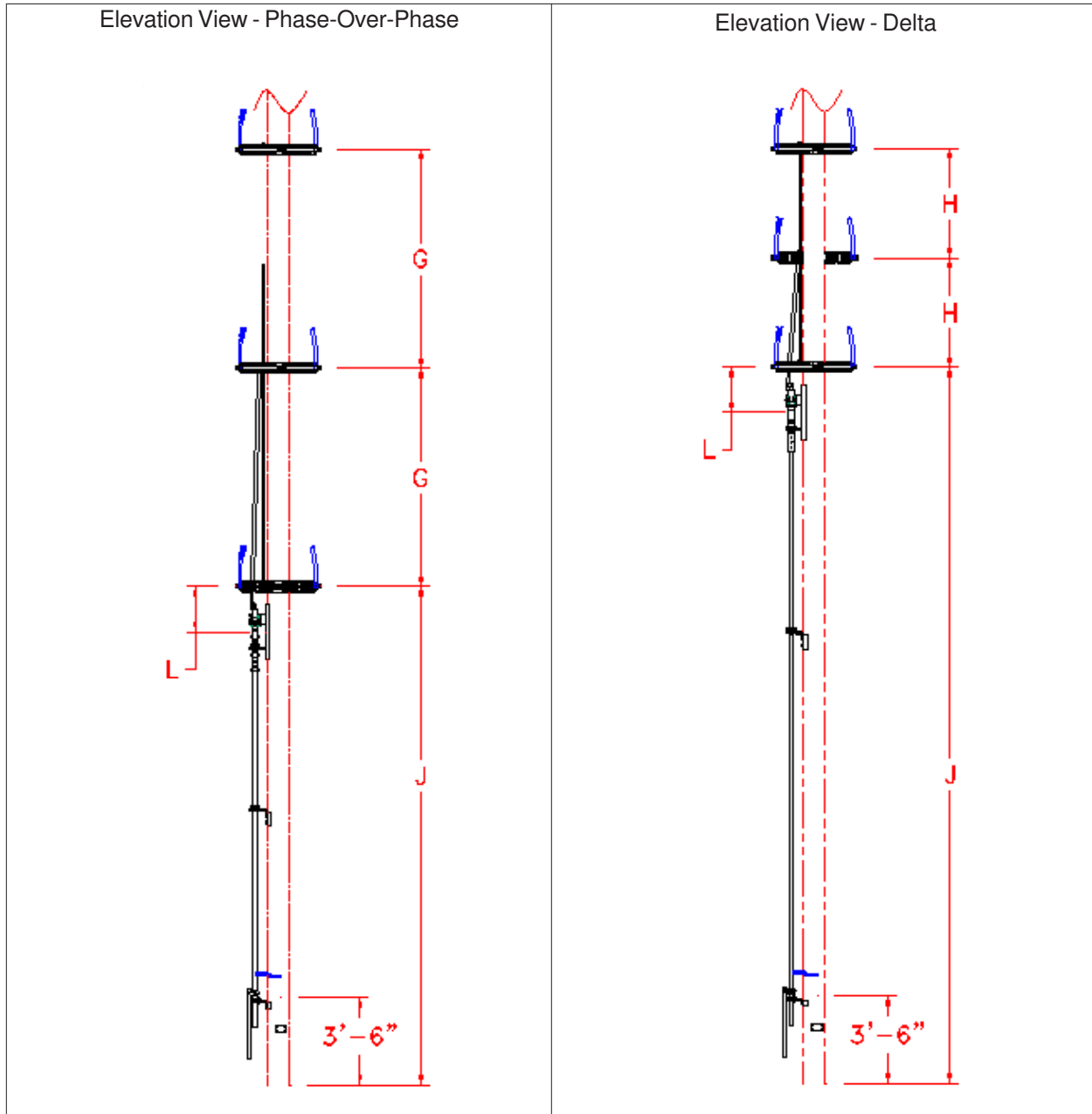
Voltage Rating			Current Rating		Insul TR Nbr	Type "CP" Center Vee Switch			
Nom	Max	BIL	Cont	Mom		Catalog No.	Weight, Lbs		
							Install	Ship	
34.5	38	200	600	40	210	CP03406S-V	800	1071	
			1200	61		CP03412S-V	815	1092	
			2000	100		CP03420S-V	825	1107	
46	48.3	250	600	40	214	CP04606S-V	899	1215	
			1200	61		CP04612S-V	914	1230	
			2000	100		CP04620S-V	924	1245	
69	72.5	350	600	40	216	CP06906S-V	1198	1710	
			1200	61		CP06912S-V	1207	1720	
			2000	100		CP06920S-V	1217	1735	
115	121	550	600	40	286	CP11506S-V	2323	2960	
			1200	61		CP11512S-V	2353	2990	
			2000	100		CP11520S-V	2373	3016	
138	145	650	600	40	288	CP13806S-V	2532	3140	
			1200	61		CP13812S-V	2568	3175	
			2000	100		CP13820S-V	2598	3213	

(1) For switching applications at 161 and 230 kV, SEECO recommends use of a traditional one-way phase-over-phase switch for greater long term reliability and ease of operation





### Dimensional Data 34.5 - 69 kV, Type CP

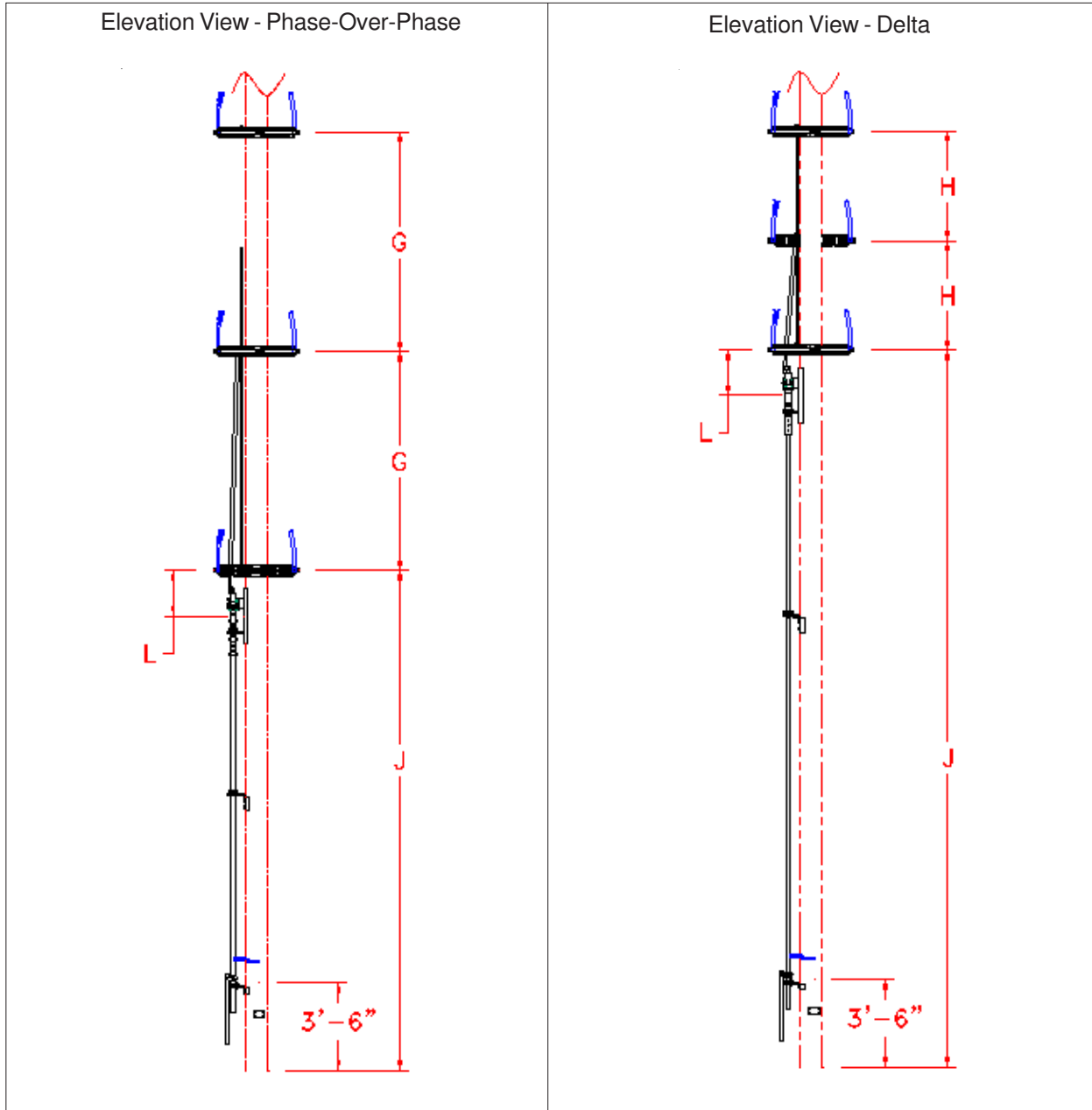


Dimensions in Inches (Unless Otherwise Specified)

kV	B	C	D	E	F	G	H	J	L
34.5	24-1/2	35-1/8	42-5/8	46-7/8	18	60	30	26'	42
46	28	39-3/4	46-5/8	50-7/8	22	72	36	26'	42
69	35	49	54-1/2	58-3/4	30	84	42	30'	42



### Dimensional Data 115 - 138 kV, Type CP



Dimensions in Inches (Unless Otherwise Specified)

kV	B	C	D	E	F	G	H	J	L
115	54	73-13/16	74-3/4	79	45	120	60	35'	42
138	62	84-3/16	83-3/4	88	54	144	72	35'	42