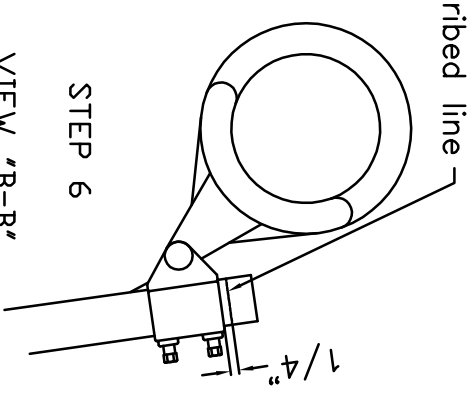
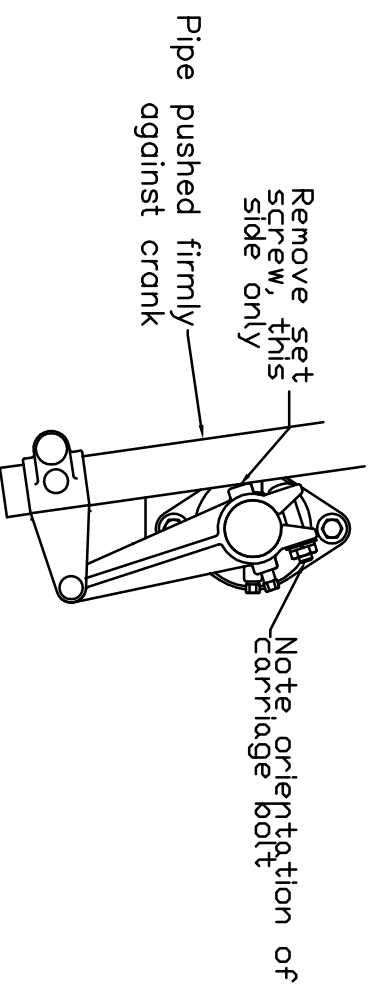


VIEW "A-A"



VIEW "B-B"

STEP 6



VIEW "C-C"

- Notes:
- 1) Top and bottom phases must be completely adjusted and closed before beginning this procedure.
 - 2) Confirm that live parts (hinge, jaw and blade assemblies) and the rotating insulator bearing on the middle, offset phase have been adjusted per Installation Instructions II-002.
 - 3) Loosen set screws in shaft fitting. (View "A-A")
 - 4) Remove (1) set screw from crank, and orient carriage bolt as shown in view "C-C"
 - 5) Arrange crank and long clevis as in view "C-C", with pipe pushed firmly against crank as shown.
 - 6) Tighten carriage bolts fully, and snug set screws (do not pierce) in long clevis and crank. (View "C-C")
 - 7) Scribe a line on pipe at edge of shaft fitting. (View "A-A")
 - 8) Open the switch with the swing handle very slowly until 1/4" appears between the end of the shaft fitting and the scribed line, or until the top and bottom phases "pop" out of toggle without beginning to open. Blade should not move during this adjustment.
 - 9) Tighten set screws in shaft fitting, but do not pierce.
 - 10) Operate the switch a few times. The switch should snap overcenter into the closed position. This motion is called toggle. There will be an audible "snap" when toggle is set.
 - 11) If the switch closes completely with the reach rod in tension, and the control does not toggle in: Repeat steps 7 through 10 using slightly less than 1/4" between shaft fitting and scribed line.
 - 12) If switch opens correctly and toggles closed, pierce all set screws.
 - 13) If middle phase does not open a full 90°, it may be necessary to adjust "open" stops on top and bottom phases. This is accomplished by the following procedure:
 - a) Loosen the carriage bolts which hold the "open" stops on the top and bottom phases in place.
 - b) Open the switch until the middle phase reaches its stop at 90° in the open position.
 - c) Tighten the carriage bolts, setting the top and bottom phase "open" stops in this new position.
 - NOTE~ This adjustment will result in the top and bottom phases opening slightly beyond 90° to open.
 - 14) It is normal for the offset phase on a "Delta" configuration switch to operate slightly "behind" the other phases. This will not affect equipment performance.

SEECO Southern Electrical Equipment Company
Charlotte, NC 28208

Adjustment Instructions
for Offset Phase of
"Delta" Arrangement Switch

drawn	ch'kd	app'd	scale	sheet no.	tot. sht's
GBS	JGR	JGR	NTS	1	1
date	date	date	drawing no.		
06/16/06	06/16/06	06/16/06	B-W809-2973		