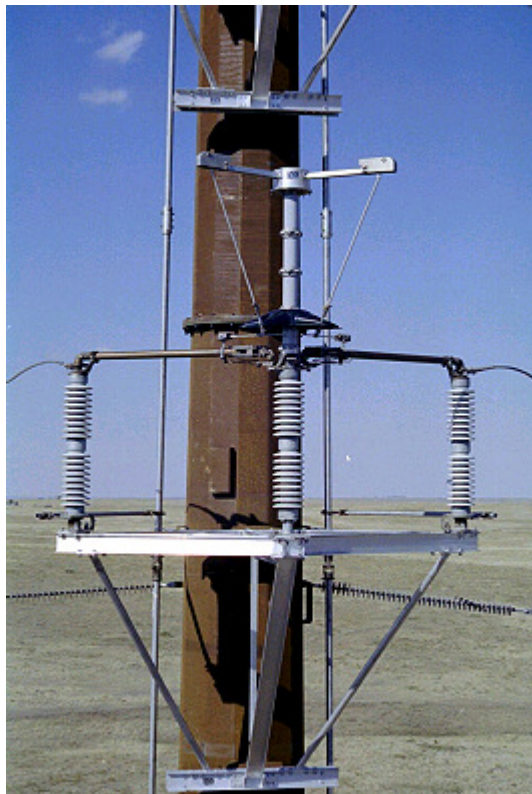




## Two-Way Switches



**Type:** 2G (airbreak) and 2GL (loadbreak)  
**Orientation:** Phase-Over-Phase  
**Voltage:** 15 - 230 KV  
**Current:** 600, 1200, 2000 and 3000 Ampere

### Description

Side-break style switch in a phase-over-phase configuration, with horizontal upright mounting on an aluminum support structure. Two individual switch pole units are arranged in an integral design, sharing insulators, interrupters, and other switch components. Provides switching for alternate sources.

### Application

Two-way switches are frequently used for line taps, ties, and sectionalizing. Phase-over-phase arrangements are especially helpful where restricted right-of-way or difficult terrain make other switch/structure configurations unworkable.

### Features & Benefits

- Allows easy isolation of lines, enhances reliability
- Small footprint minimizes right-of-way requirements, reducing real estate acquisition and litigation expense
- Eliminates substation high side switches
- Reduces construction time and costs vs. other types
- Clean visual appearance, less objections from communities
- Provides design flexibility to system designers

## Ordering Information

### Standard Equipment

Type "2G" and "2GL" GOABS® come complete with copper and copper alloy live parts, welded aluminum frame structures, and a manual control mechanism consisting of vertical control rods, horizontal control rods, outboard bearings, intermediate control rod guides, operating handle, lock-plate assembly, and ground strap.

Type "2G" switches are furnished with high-speed, snap-out arcing horns for interruption of limited amounts of line charging and transformer magnetizing currents. "2G" switches can be converted to arcless switching by the addition of SEECO MONORUPTR® vacuum interrupters.

Type "2GL" switches are furnished with MONORUPTR® vacuum interrupters for arcless switching of load, loop, line charging, and transformer magnetizing currents. Please refer to the catalog section for MONORUPTR® vacuum interrupters for ratings, application, and features and benefits.

### Optional Equipment

Accessories, such as motor operators, operator platforms, terminal connectors, porcelain insulating sections, etc. are also available.

### To Be Specified on Order

To obtain pricing information or to place an order, the following minimum information must be specified:

- Catalog Number
- Voltage Rating (kV) and BIL Rating (kV)
- Continuous Current Rating (amps)
- Momentary Current Rating (RMS amps)
- If insulators are required, specify TR Number; if insulators are non-standard, specify required parameters, i.e. polymer, extra leakage distance, high strength, resistive glazing, etc.
- Type of pole structure (wood, concrete, steel, laminated wood, etc.)
- Required dimensions: bottom phase to grade, phase to phase, and phase to static
- Type of operating mechanism: manual or motor operator
- Optional equipment

An Order Specification checklist is available to assist you in organizing and completing the information required. You may obtain a copy of the checklist by contacting SEECO, your local sales representative, or on-line at [www.seecoswitch.com](http://www.seecoswitch.com)



### Catalog Numbers and Ratings

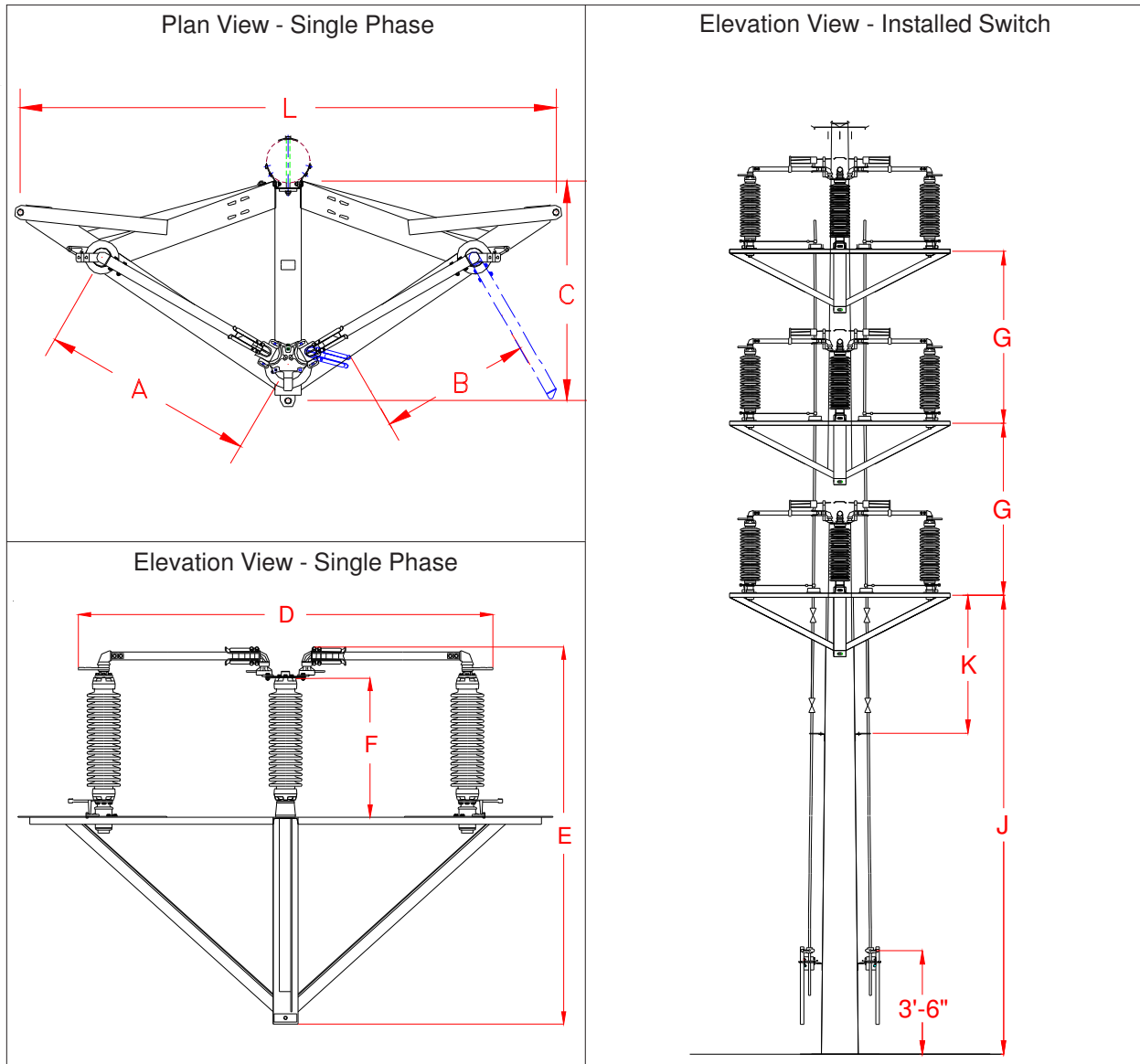
Voltage Rating			Current Rating		Insul TR Nbr	Type 2G			Type 2GL		
Nom	Max	BIL	Cont	Mom		Catalog	Weight, Lbs		Catalog	Weight, Lbs	
							Install	Ship		Install	Ship
15	15.5	110	600	40	205	2G01506SN	1065	1555	2GL015061SN	1235	1945
			1200	61		2G01512SN	1155	1645	2GL015121SN	1325	2035
			2000	100		2G01520SN	1222	1715	2GL015201SN	1395	2105
			3000	100		2G01530SN	1240	1741	2GL015301SN	1416	2137
23	25.8	150	600	40	208	2G02306SN	1145	1635	2GL023061SN	1315	2025
			1200	61		2G02312SN	1235	1725	2GL023121SN	1405	2115
			2000	100		2G02320SN	1310	1810	2GL023201SN	1480	2190
			3000	100		2G02330SN	1330	1837	2GL023301SN	1502	2223
34.5	38	200	600	40	210	2G03406SN	1485	2055	2GL034061SN	1655	2445
			1200	61		2G03412SN	1595	2165	2GL034121SN	1765	2555
			2000	100		2G03420SN	1725	2295	2GL034201SN	1895	2685
			3000	100		2G03430SN	1751	2329	2GL034301SN	1923	2725
46	48.3	250	600	40	214	2G04606SN	1625	2315	2GL046062SN	1870	2800
			1200	61		2G04612SN	1725	2425	2GL046122SN	2080	2910
			2000	100		2G04620SN	1870	2570	2GL046202SN	2225	3055
			3000	100		2G04630SN	1898	2609	2GL046302SN	2258	3101
69	72.5	350	600	40	216	2G06906SN	2365	3115	2GL069063SN	2660	3710
			1200	61		2G06912SN	2485	3235	2GL069123SN	2780	3810
			2000	100		2G06920SN	2680	3430	2GL069203SN	2975	4005
			3000	100		2G06930SN	2720	3481	2GL069303SN	3020	4065
115	121	550	600	40	286	2G11506SN	5240	5880	2GL115064SN	5575	6265
			1200	61		2G11512SN	5345	5985	2GL115124SN	5680	6370
			2000	100		2G11520SN	5850	6490	2GL115204SN	6185	6875
			3000	100		2G11530SN	5938	6587	2GL115304SN	6278	6978
138	145	650	600	40	288	2G13806SN	6035	6770	2GL138065SN	6415	7000
			1200	61		2G13812SN	6170	6905	2GL138125SN	6550	7130
			2000	100		2G13820SN	6685	7420	2GL138205SN	7065	7645
			3000	100		2G13830SN	6785	7531	2GL138305SN	7171	7760
161	169	750 (1)	600	40	291	2G16106SN	6885	7620	2GL161066SN	7310	8000
			1200	61		2G16112SN	7000	7735	2GL161126SN	7425	8115
			2000	100		2G16120SN	7525	8260	2GL161206SN	7950	8649
			3000	100		2G16130SN	7638	8384	2GL161306SN	8069	8779
230	242	900 (2)	600	40	304	2G23006SN	8262	9144	2GL230068SN	8772	9600
			1200	61		2G23012SN	8400	9282	2GL230128SN	8910	9738
			2000	100		2G23020SN	9030	9912	2GL230208SN	9540	10379
			3000	100		2G23030SN	9165	10061	2GL230308SN	9683	10534

(1) To specify 900 BIL, add "-0900" to the catalog number, ex. 2G16112SN-0900

(2) To specify 1050 BIL, add "-01050" to the catalog number, ex. 2GL230128SN-1050



### Dimensional Data 15 - 69 kV, Type 2G and 2GL



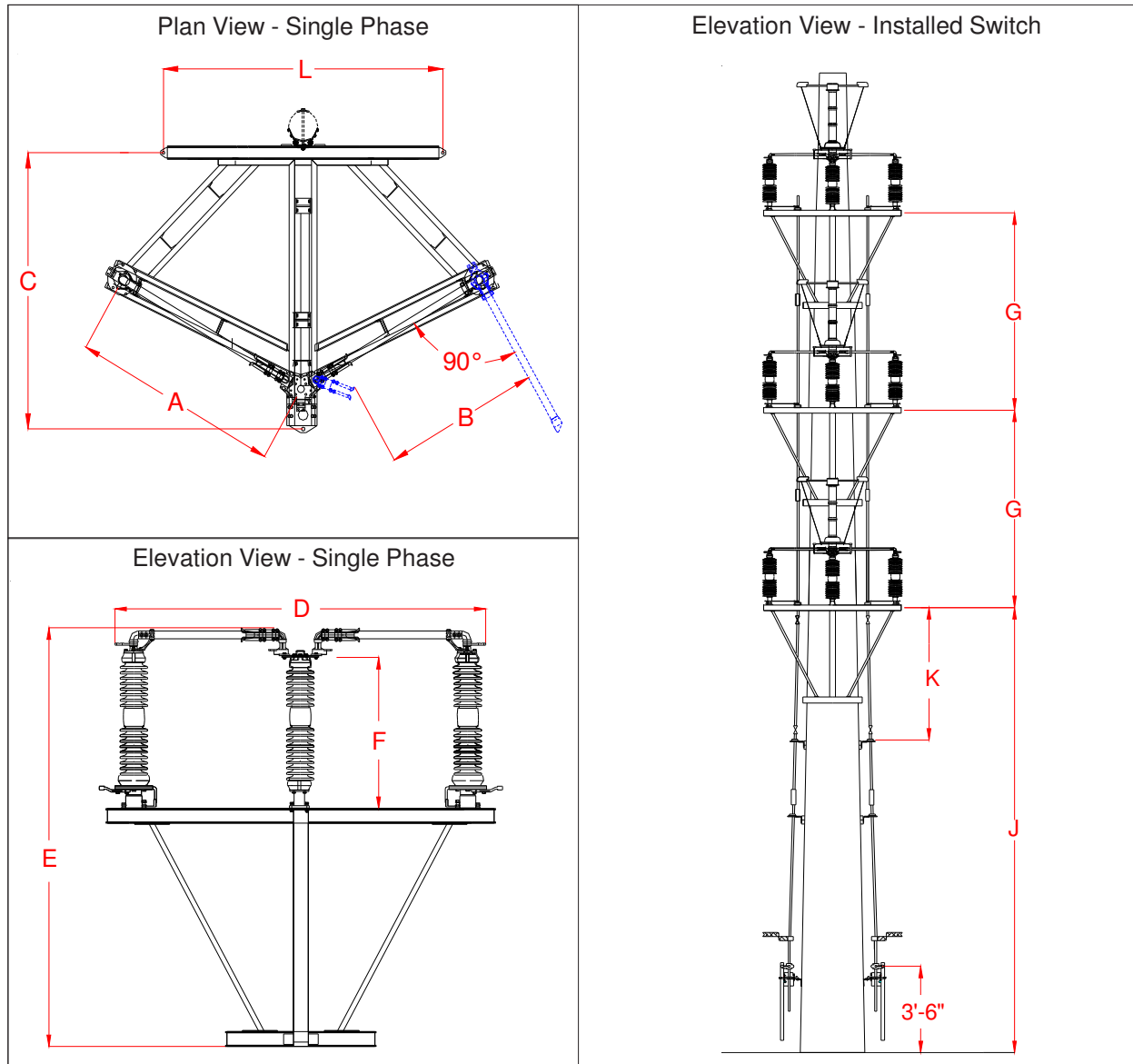
If the addition of a loadbreak device is not anticipated, dimension "G" may be reduced; consult the factory for special phase spacing requirements

Dimensions in Inches (Unless Otherwise Specified)

kV	A	B	C	D	E	F	G	J	K	L
15	28-1/2	14	33-7/16	70-1/8	46-5/8	14	6'-0"	26'-0"	10'-0"	72
23	34-1/2	20	37-11/16	80-1/2	56-5/8	18	6'-0"	26'-0"	10'-0"	91-1/2
34.5	42-1/2	28	49-5/16	106-1/8	69-5/8	22	7'-0"	27'-0"	12'-0"	117
46	42-1/2	28	49-5/16	106-1/8	73-5/8	26	9'-0"	29'-0"	12'-0"	117
69	50-1/2	36	60	120	96-5/8	34	10'-0"	29'-0"	13'-0"	126



### Dimensional Data 115 - 230 kV, Type 2G and 2GL



If the addition of a loadbreak device is not anticipated, dimension "G" may be reduced; consult the factory for special phase spacing requirements

Dimensions in Inches (Unless Otherwise Specified)

kV	A	B	C	D	E	F	G	J	K	L
115	73	51-1/2	96-1/2	142-7/16	147-1/4	51-3/4	18'-0"	30'-0"	16'-0"	128-1/2"
138	80-3/4	63-1/2	101	156-1/16	170-3/4	60-3/4	22'-0"	30'-0"	16'-0"	128-1/2"
161	88-1/2	75-1/2	111-1/4	169-7/16	179-3/4	68-3/4	24'-0"	30'-0"	16'-0"	128-1/2"
230	106	95-1/8	123	196	206	85-7/8	28'-0"	40'-0"	16'-0"	128-1/2"